



ECCENTRIC ROLLER GRIPS AND SELF-TIGHTENING TENSILE TESTS ERG series



Easy-to-use self-tightening grips applicable to perform **tensile tests** on samples and specimens of soft and flexible materials, **rubber, latex, foils, plastics** ..., being incorporated into a universal testing machine.

GENERAL INFORMATION

Easy-to-use wedge grips, designed for the tensile tests of light elastic materials, such as rubber, latex, silicones, plastics, foils ... with low resistance. The 1 or 2 eccentric roller grip design with knurled or smooth finishes ensures a clamping on the specimen as the force increases and prevents slippage, the initial force is applied by the action of the eccentric rollers themselves at the time of placing the test specimen.

Grips with 1 eccentric knurled roller

Self-adjusting knurled (chopped) roller grips for medium duty applications. Versatile and fast loading, suitable for flat dumbbells. Knurled eccentric roller and back plate provide efficient grip on the smoothest surface of the test sample.

Grips with 1 Eccentric Smooth Roller

Light duty roller grips. The specimen is clamped by wrapping it between the simple self-tightening bollard (roller) and the backing plate to eliminate stress concentration.

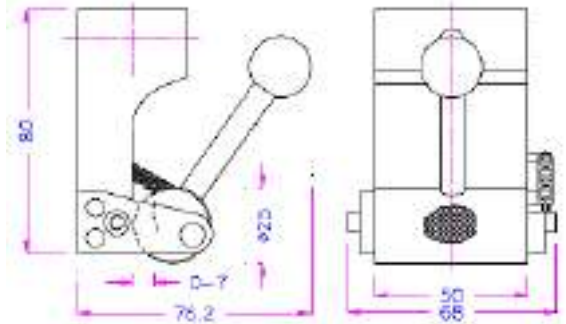
Grips with 2 Eccentric Knurled Roller

Self-adjusting knurled roller grips that use two rollers to hold the specimen. The grip is particularly efficient when used to test flexible dumbbell samples. The center line of the sample remains constant in relation to the testing machine, regardless of the thickness of the sample.

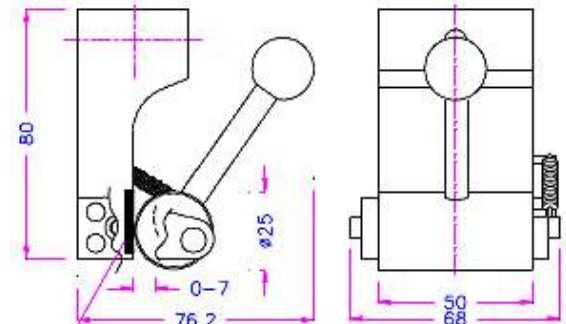
Eccentric roller style pull grips are used in benchtop material testing machines.

Model	Capacity	Roller Diameter	Clamping width	sample thickness	Roller Finish	Body	Weight 1 grip	Temperat. range
ERG-1-50-M	1 kN	25 mm	50 mm	0 - 7 mm	Knurled S / Serrated Base	Anodized Aluminum	510 g	0 a +130 °C
ERG-1-50-L	1 kN	25 mm	50 mm	0 - 7 mm	Liso S/Base Caucho	Anodized Aluminum	510 g	0 a +70 °C
ERG-5-50-M	5 kN	30 mm	50 mm	0 - 7 mm	Knurled S / Serrated Base	Anodized Aluminum	670 g	0 a +130 °C
ERG-10-60-M	10 kN	50 mm	60 mm	0 - 8 mm	Knurled S / Serrated Base	Steel, w / Manganese Phosphate	3,35 Kg	0 a 130 °C
ERG-1-80-M	1 kN	80 mm	50 mm	0 a 7 mm	Knurled S / Serrated Base	Anodized Aluminum	500 g	0 a +130 °C
ERG-5-100-M	5 kN	100 mm	50 mm	0 a 7 mm	Knurled S / Serrated Base	Anodized Aluminum	675 G	0 A +130 ° c
DRG-5-50-M-15	5 kN	-	50 mm	0 a 15 mm	Knurled	Steel	1 Kg	0 a 70 °c
DRG-5-50-M-40	5 kN	-	50 mm	0 a 40 mm	Knurled	Steel	2 Kg	0 a 70 °C
ERG-10-60-DC Disp. Centrado	10 kN	-	60 mm	0 a 8 mm	Knurled	Anodized Aluminum	900 g	0 a +130 °C

EGR-1-50-M

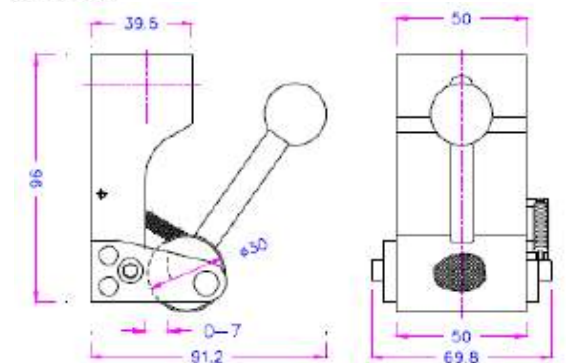
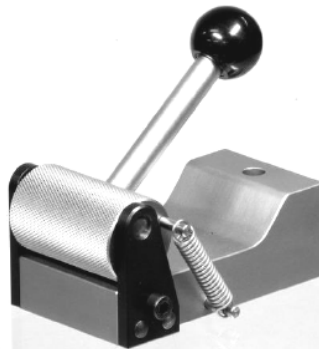


ERG-1-50-L

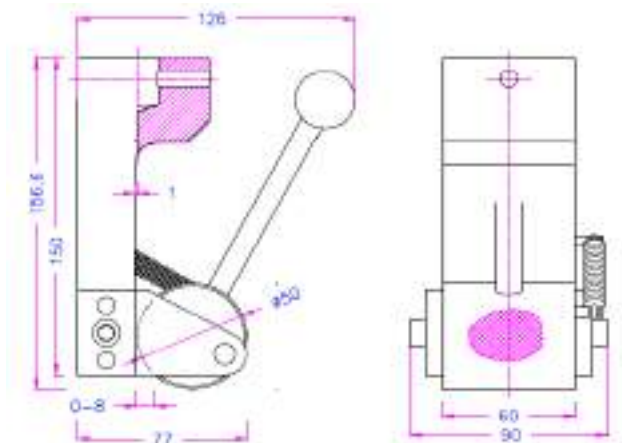
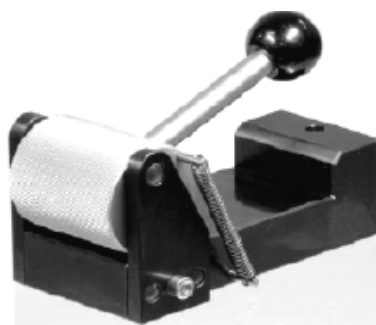


CAUCHO

ERG-5-50-M

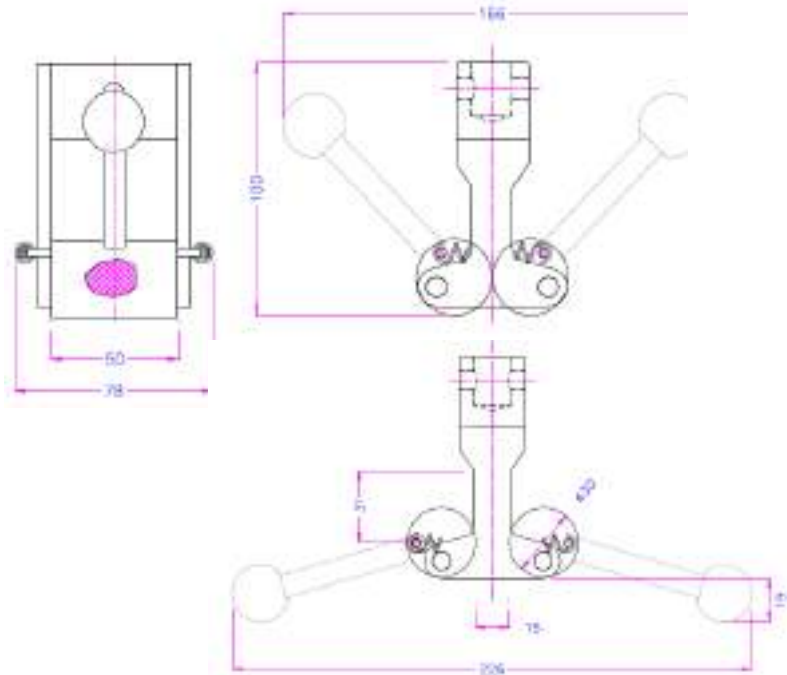


EGR-10-60-M

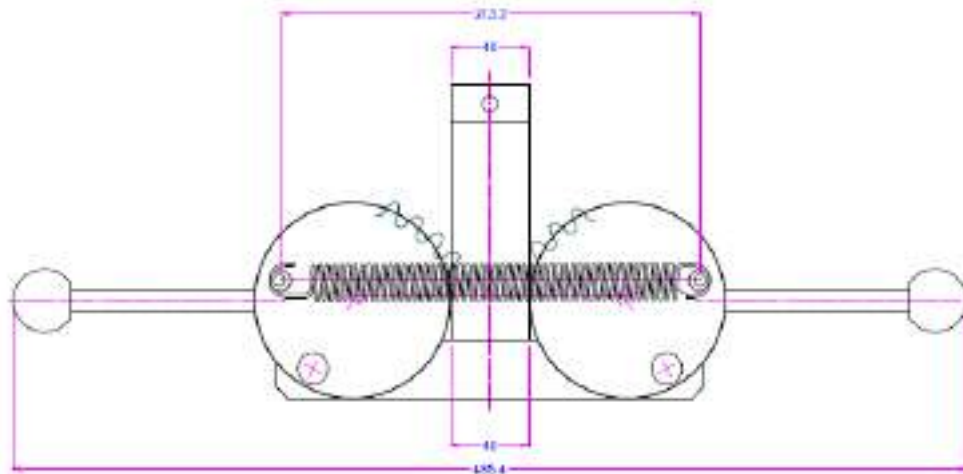
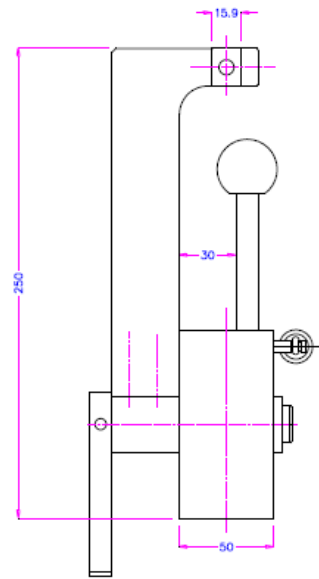


ERG-1-80-M

ERG-5-100-M

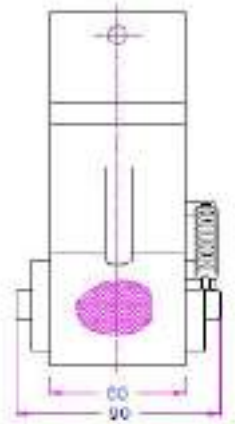
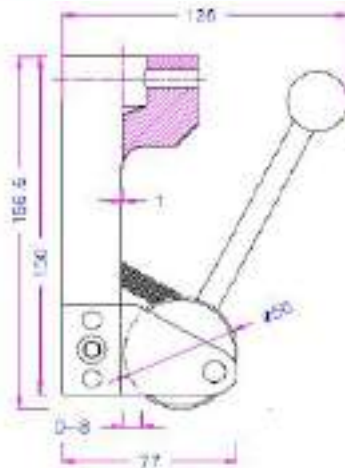
DRG-5-50-M-15


DRG-5-50-M-40



ERG-10-60-M-DC*

* With Specimen Centering Device that ensures test precision



SPECIAL VERSIONS:



Stainless Steel Version
p / Temperature + 280°C



Nickel Silver Version

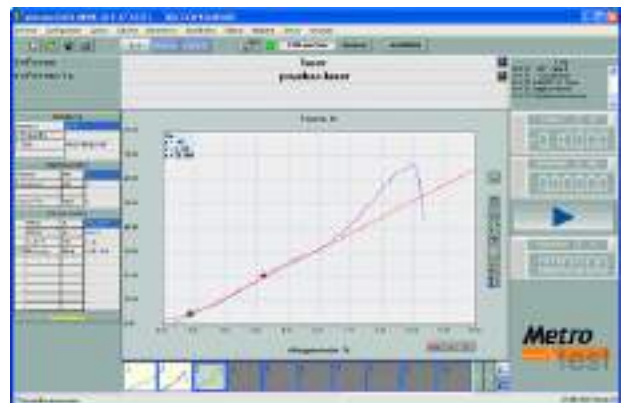


Body Height 80mm



**Knurled Roller
and Knurled Base**

Recommended Testing Machines:



MetroTEST Testing Software

CONTENTS OF THE STANDARD SUPPLY:

- * Set of 2 Jaws model ordered