



## TOOLS AND FIXTURES FOR BIOMEDICAL TESTING



To perform **tests** with **biomedical elements** such as **Syringes, Needles, Protective Clothing, Ampoules, Dental Elements, Hip Prosthesis, Prostheses and Dental Implants, FFP2 Masks, Human Tendons...** these tools being incorporated into a universal testing machine with testing software.

TECHLABSYSTEMS

## APPLICABLE STANDARDS

DIN EN ISO 7886-1 - DIN EN ISO 11608-3 - DIN EN ISO 7864 - DIN EN ISO 9626 - ASTM F3212 - ASTM F2878 - DIN EN ISO 9187-1 - DIN EN ISO 22112 - DIN EN ISO 20795-1

## **SYRINGE TESTS FIXTURES..... 3**

- Test fixtures according to DIN EN ISO 7886-1 standards (Fig.E1)
- Fixtures testing syringes
- Test fixture according to DIN EN ISO 11608-3 standards

## **NEEDLE TEST FIXTURES..... 7**

- Test Fixtures according to Standards **DIN EN ISO 7864**
- Test Fixtures according to Standards **DIN EN ISO 9626**
- Test Fixtures according to Standards **DIN EN ISO 9626-Ann.C**
- Test Fixtures according to Standards **ASTM F3212**

## **PROTECTIVE CLOTHING TESTING FIXTURES..... 11**

- Test Fixtures according to ASTM F2878 standards

## **AMPOULES TEST FIXTURES ..... 12**

- Test Fixtures according to standards **DIN EN ISO 9187-1**

## **DENTAL TEST FIXTURES..... 13**

- Test Fixtures according to standards **DIN EN ISO 22112 - DIN EN ISO 20795-1**
- Bonding test between polymer teeth and denture base materials according to **DIN ISO/TS 19736**

## **EXAMPLES FOR FURTHER FIXTURES..... 16**

- Test Fixtures **EXTRACTION OF HYPODERMIC NEEDLE SEALS** ..... 16
- **SYRINGE BENDING** test fixtures at 90° ..... 16
- **FFP2 MASK LOOP** test fixtures according to EN 149 ..... 17
- Test fixtures **HYPODERMIC NEEDLES** stainless steel ..... 17
- Fixtures for **HUMAN TENDONS** Test ..... 18
- Femoral component strength test fixtures **HIP PROSTHESIS** ISO 7306-4 ..... 19

**MEDICAL SYRINGE TESTING FIXTURES**

To determine the force required to  
operate the syringe piston

According to DIN EN ISO 7886-1 standards (Fig E1)

<b>Maximum load:</b>	5 kN
<b>Coupling:</b>	15.9 or 20 mm Other couplings on request.
<b>Body:</b>	Steel, nickel plated
<b>Temperature range:</b>	0 ... +70°C Other temperature ranges on request
<b>Scope of supply:</b>	1 syringe holder, top with adapter and inserts

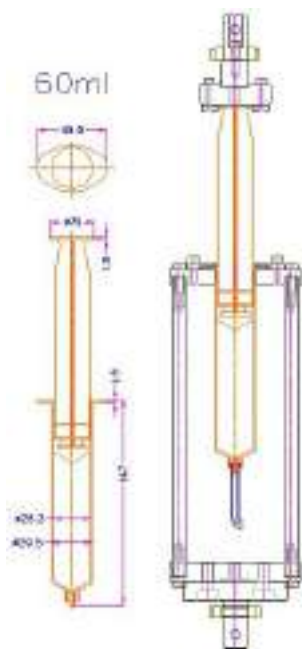




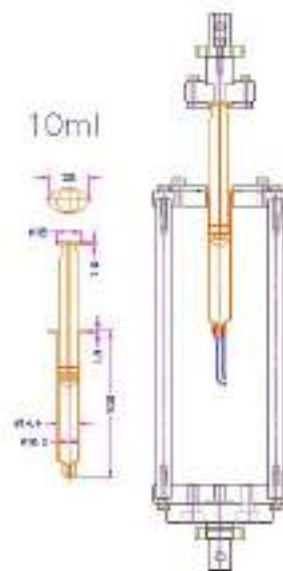
With inserts, upper part with adapter and inserts to accommodate syringes of different diameters



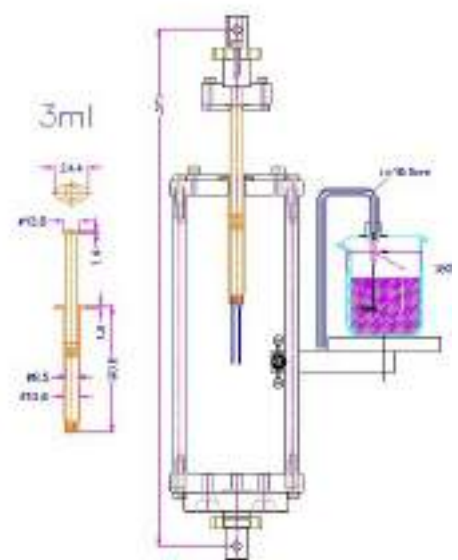
Special version with movable and height-adjustable support plate.



ISO 7886-1 fig.E.1

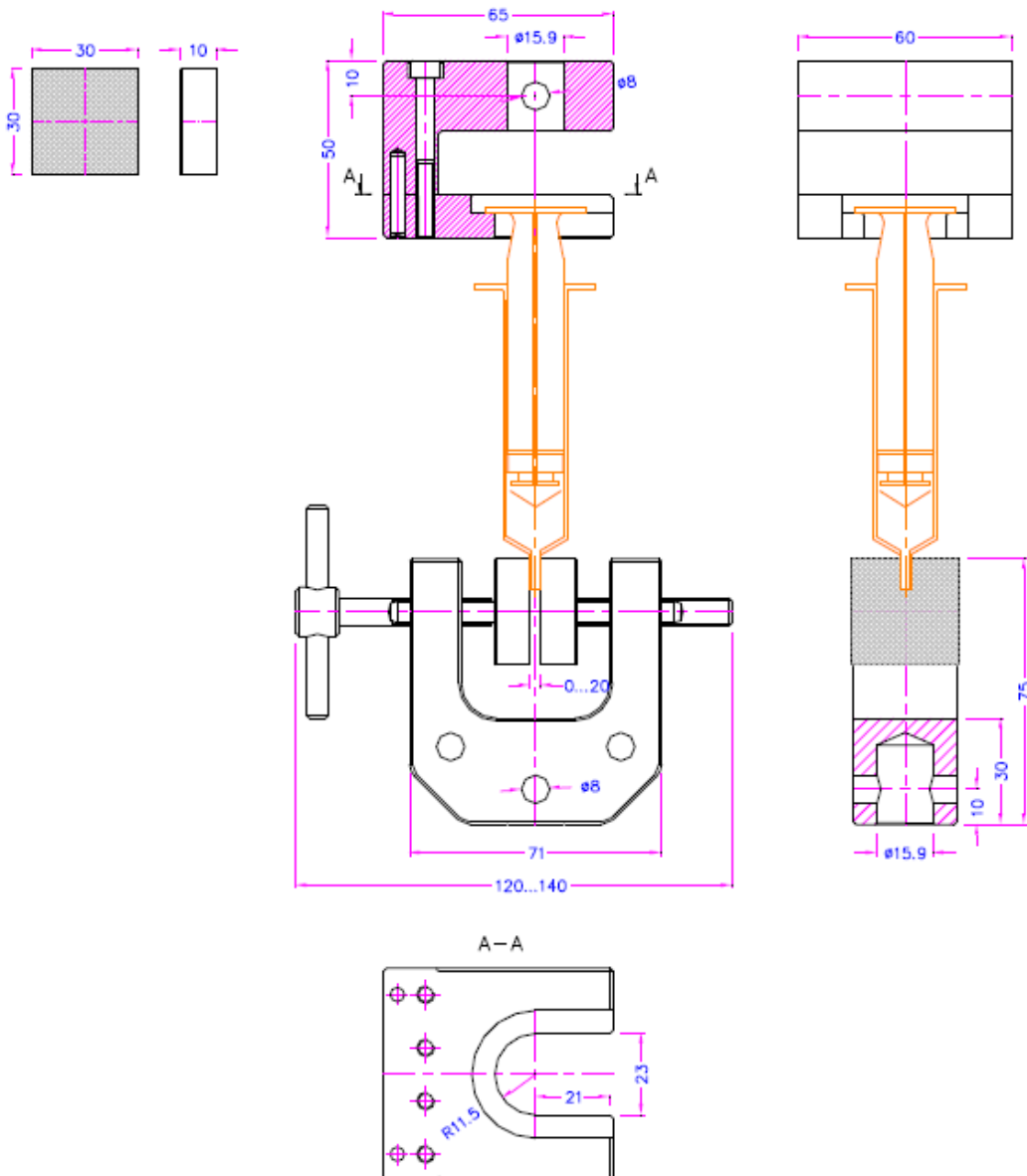


ISO 7886-1 Fig.E.1



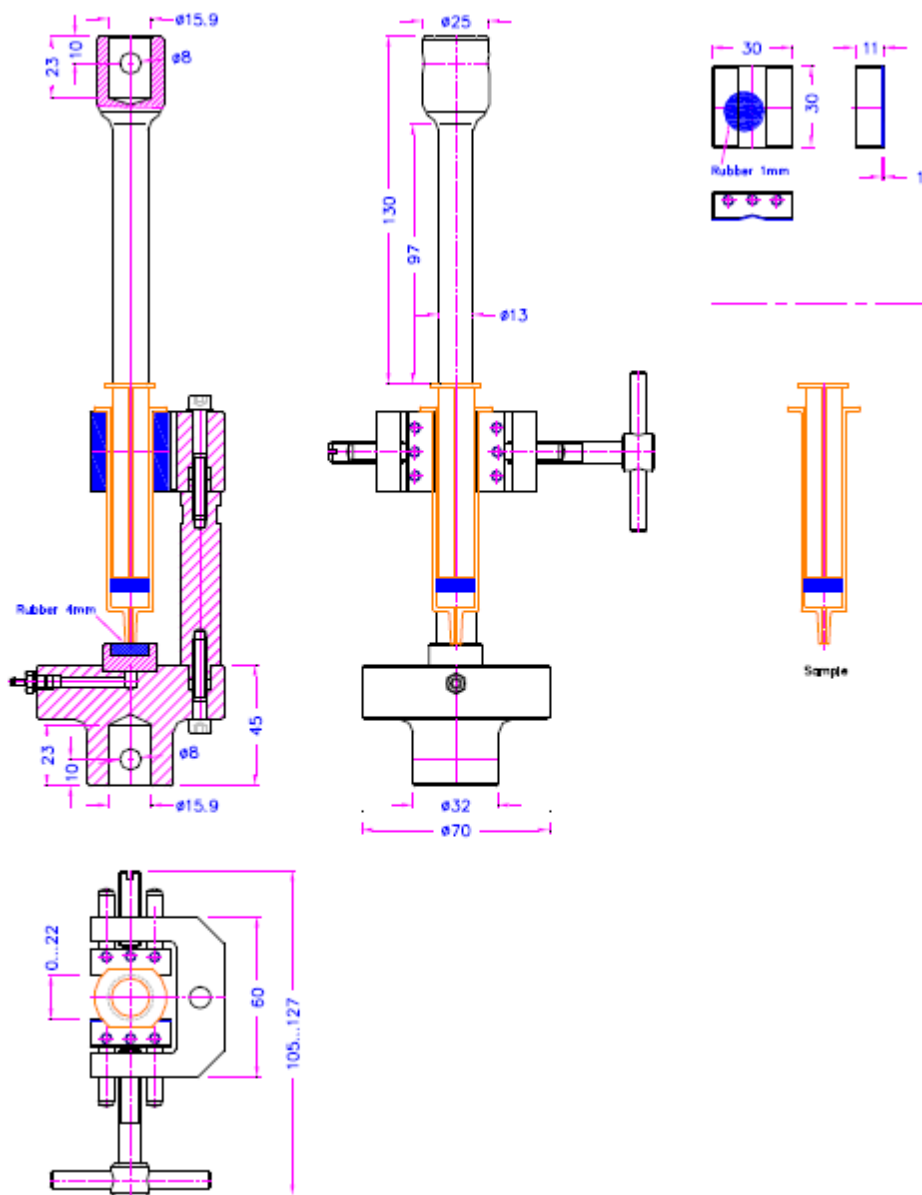
ISO 7886-1 fig.E.1

<b>MEDICAL SYRINGE TESTING FIXTURES</b>	
<b>Syringe holder to determine properties of tensile of the syringes.</b>	
<b>Maximum load:</b>	2 kN
<b>Coupling:</b>	15,9 or 20 mm Other couplings on request
<b>Body:</b>	Aluminium, anodized
<b>Temperature range:</b>	0 ... +70°C Other temperature ranges on request
<b>Scope of supply:</b>	Scope of supply: 1 syringe holder included carrier with insert Lower grip must be be ordered separately



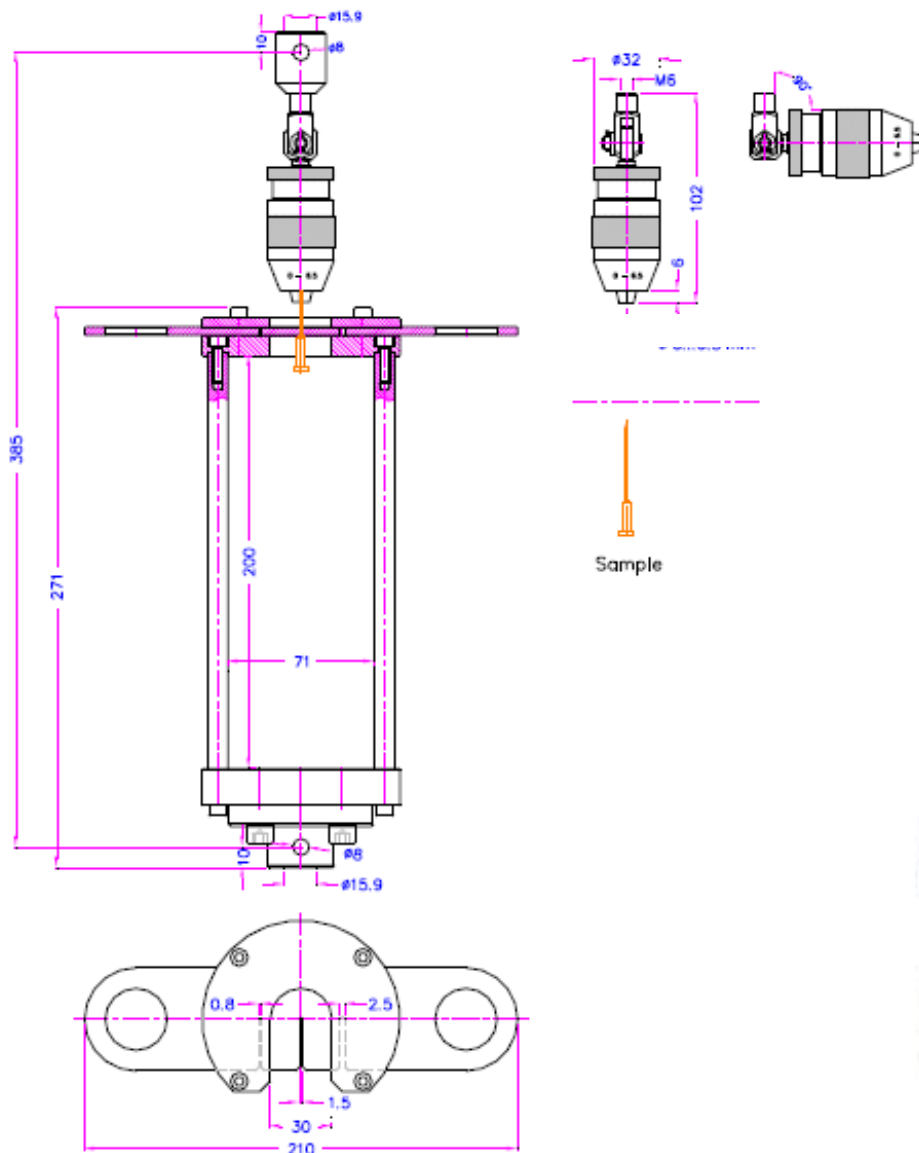
**SYRINGE CARTRIDGE TEST FIXTURES**  
(according to DIN EN ISO 11608-3 standards)

<b>Maximum load:</b>	100 N
<b>Coupling:</b>	15,9 o 20 mm. Other couplings on request
<b>Body:</b>	Steel, nickel plated
<b>Temperature range:</b>	0 ... +70°C Other temperature ranges on request
<b>Scope of supply:</b>	1 fixture made up of a plunger and cartridge holder.



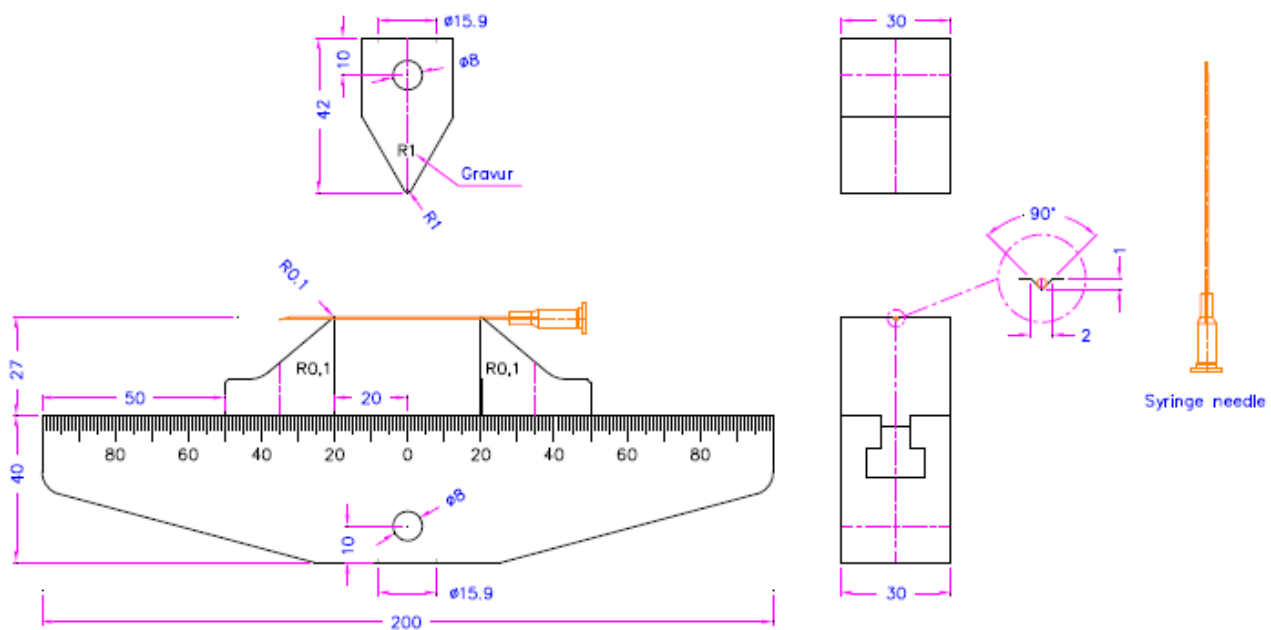
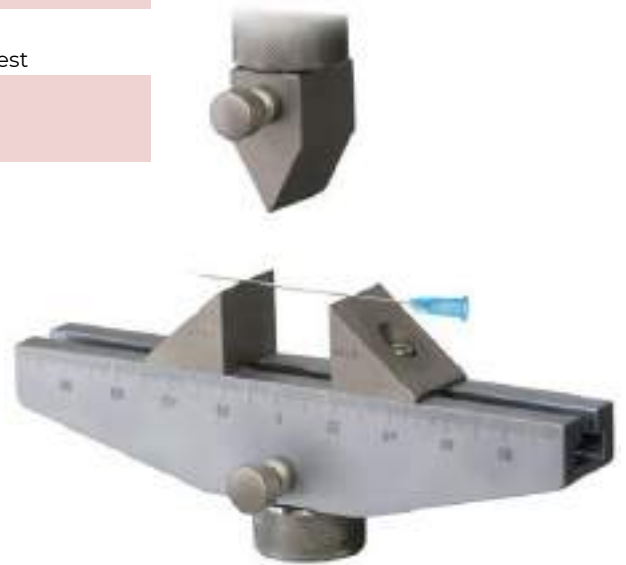
### HYPODERMIC NEEDLE TEST FIXTURES (according to DIN EN ISO 7864 standards)

<b>Maximum load:</b>	2 KN
<b>Maximum sample <math>\varnothing</math>:</b>	6 mm
<b>Coupling:</b>	15,9 or 20 mm. Other couplings on request
<b>Body:</b>	Aluminium, Steel
<b>Temperature range:</b>	0 ... +70°C Other temperature ranges on request
<b>Scope of supply:</b>	1 fixture consisting of a lower support and a fast action drill chuck



**3-POINT BENDING / BENDING FIXTURE**  
**for testing stainless steel needle tubes**  
**(according to DIN EN ISO 9626 standards)**

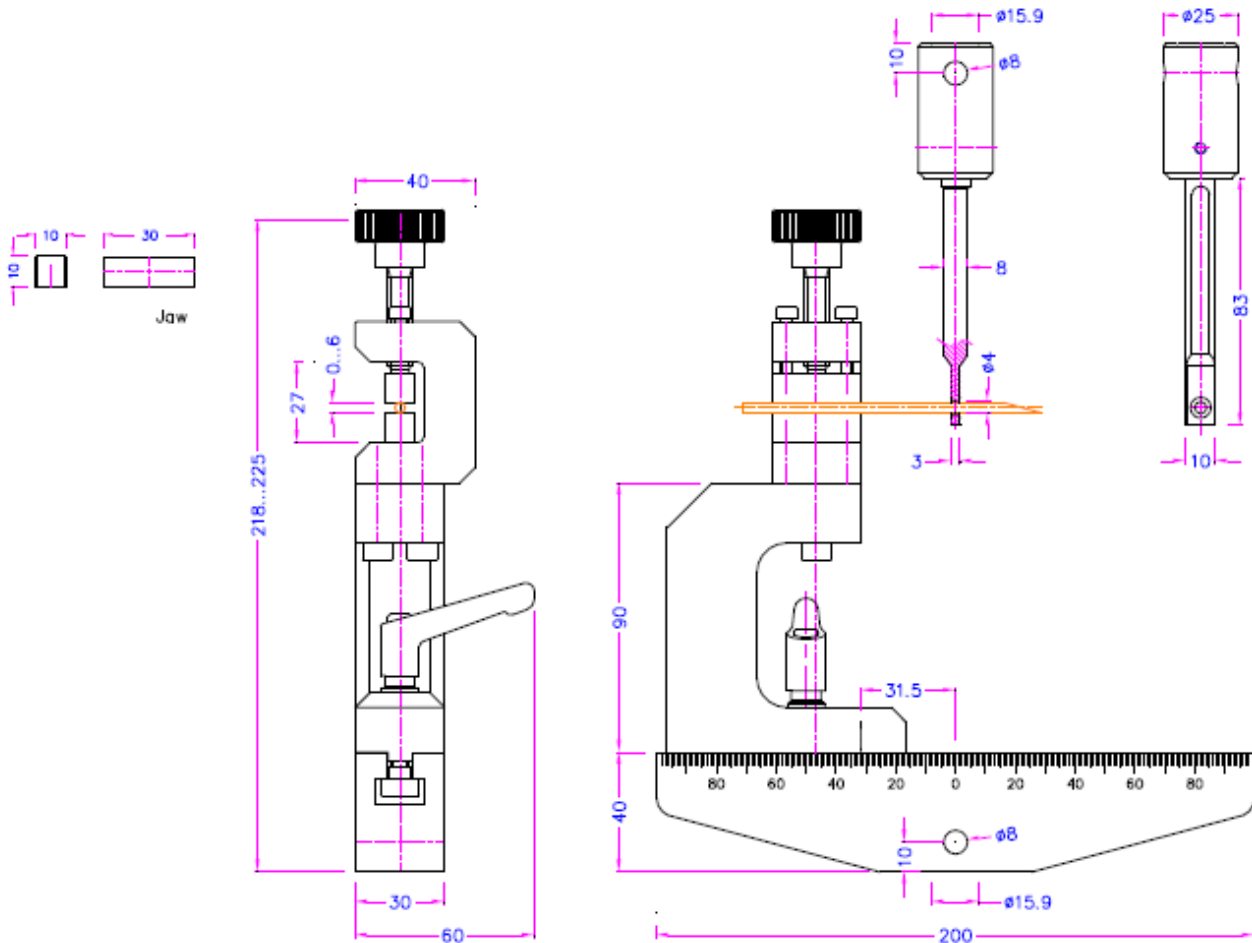
<b>Maximum load:</b>	10 KN
<b>Coupling:</b>	15,9 or 20 mm. Other couplings on request.
<b>Material:</b>	Steel, nickel plated
<b>anvils:</b>	Hardened steel, nickel plated
<b>Temperature range:</b>	0 ... +70°C Other temperature ranges on request
<b>Scope of supply:</b>	1 complete bending test fixture





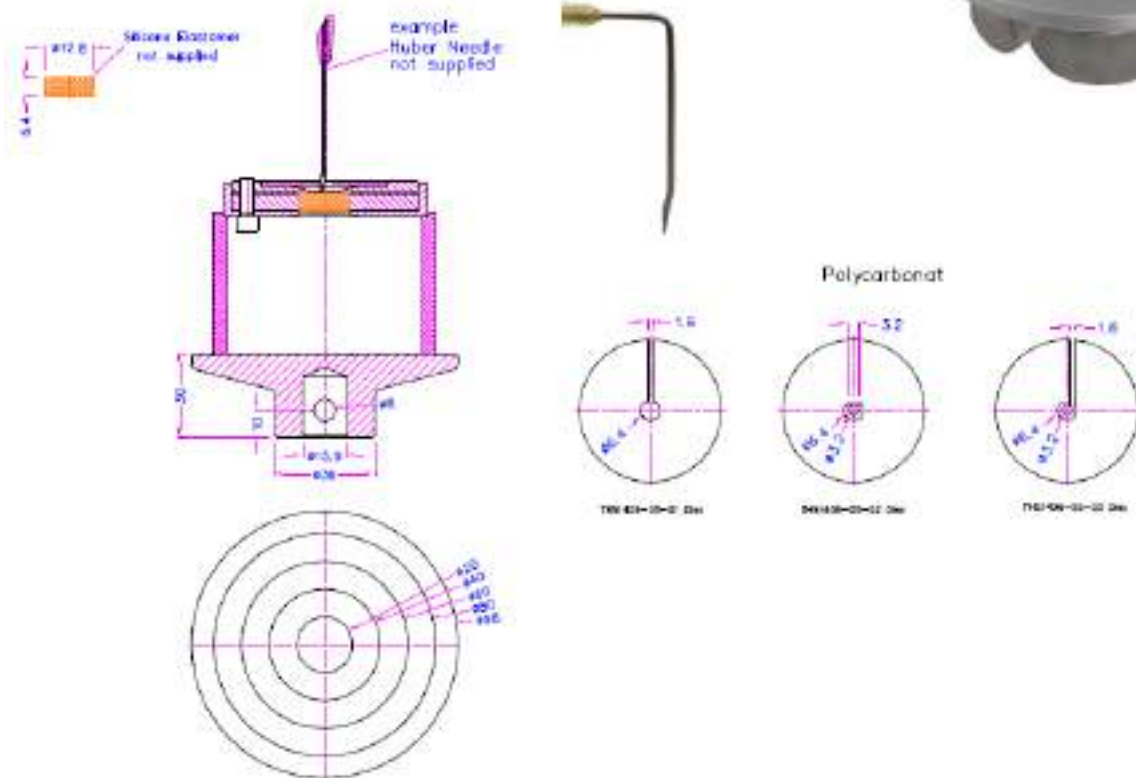
**FLEXURE TESTING FIXTURE special for testing stainless steel needle tubes**  
(according to DIN EN ISO9626-Ann.C standards)

<b>Maximum load:</b>	1 kN
<b>Coupling:</b>	15,9 or 20 mm. Other couplings on request.
<b>Material:</b>	Aluminium, Steel, Plastic
<b>Temperature range:</b>	0 ... +70°C Other temperature ranges on request
<b>Scope of supply:</b>	1 complete testing fixture



**"HUBER" NEEDLE CORE EXTRACTION FIXTURE  
(according to ASTM F3212)**

<b>Maximum load:</b>	1 kN
<b>Coupling:</b>	15,9 or 20 mm. Other couplings on request
<b>Material:</b>	V2A Stainless Steel, Polycarbonate
<b>Temperature range:</b>	0 ... +70°C Other temperature ranges on request
<b>Scope of supply:</b>	Accessory included inserts. The lower Circular Compression Plate must be ordered separately.

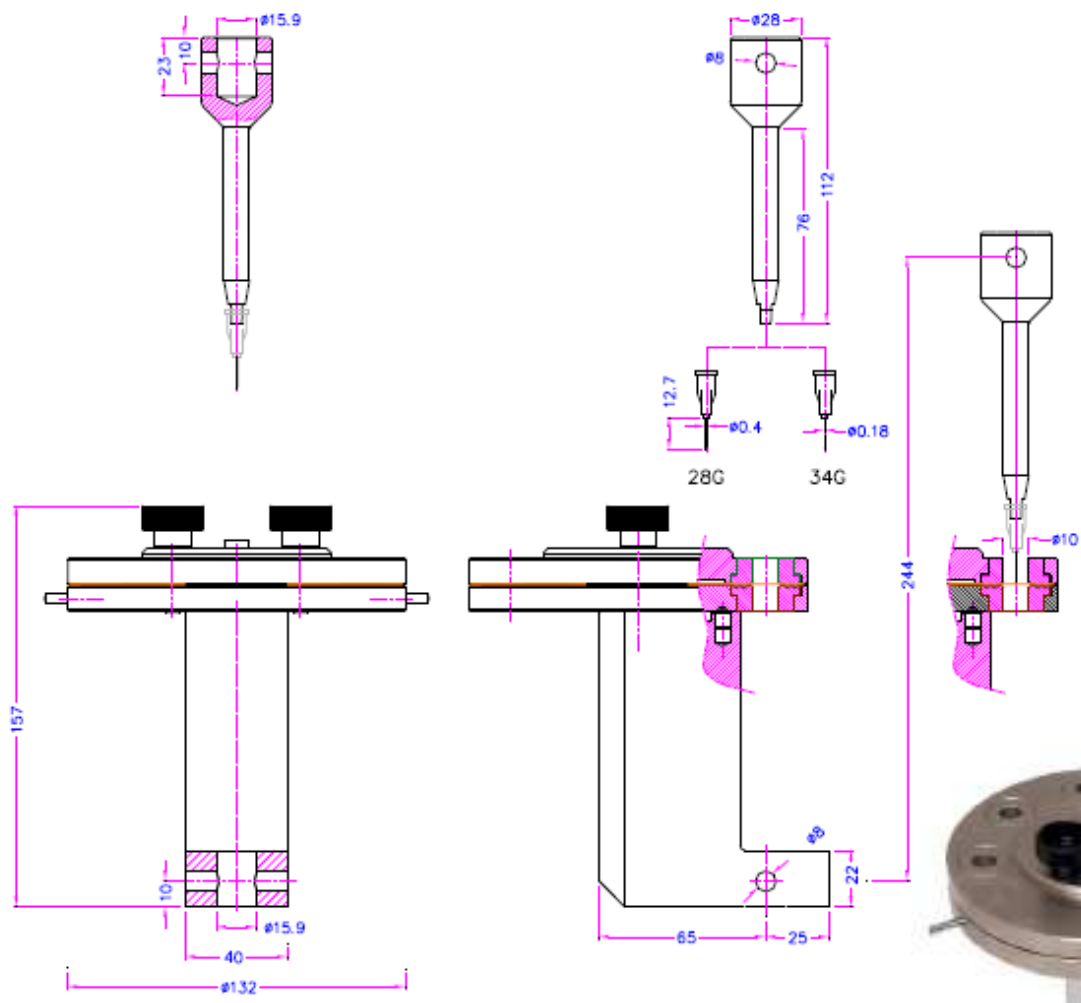
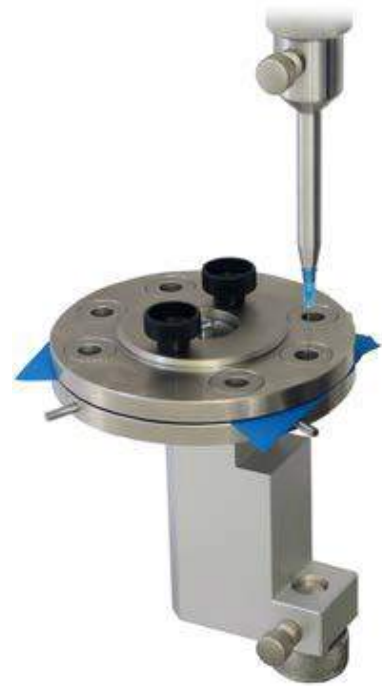


**Lower compression plate :**

- 96mm diameter,
- 15.9 or 20mm coupling
- Aluminum, anodized

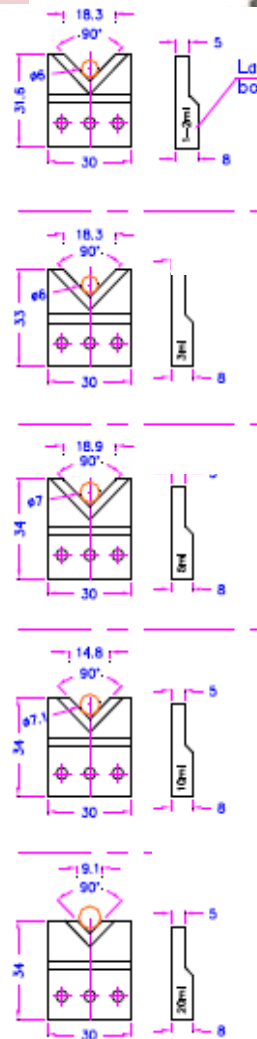
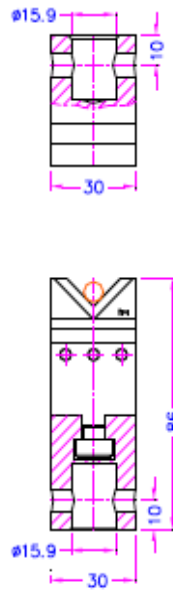
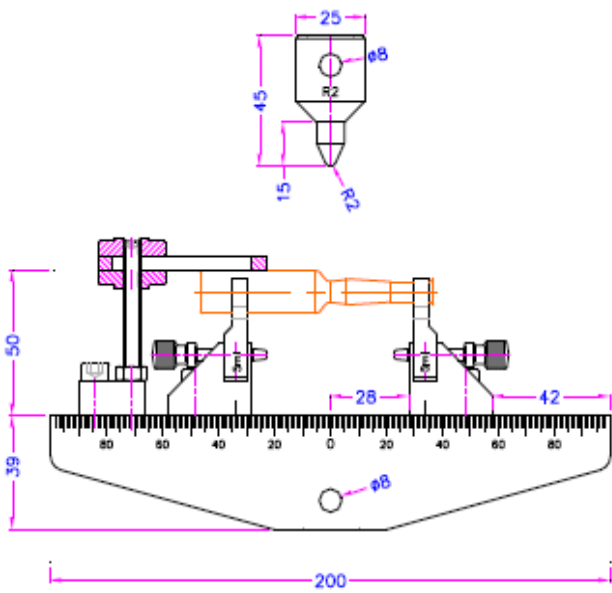
**FIXTURE FOR PROTECTIVE CLOTHING TESTS**  
(according to ASTM F2878)

<b>Maximum load:</b>	2 kN
<b>Coupling:</b>	15,9 or 20 mm. Other couplings on request.
<b>Material:</b>	Steel, Aluminium, Plastic
<b>Temperature range:</b>	0 ... +70°C Other temperature ranges on request
<b>Scope of supply:</b>	1 test fixture including needle holder and cloth sample holder



**AMPOULE TESTING FIXTURE**  
(according to DIN EN ISO 9187-1 standards)

<b>Maximum load:</b>	5 kN
<b>Coupling:</b>	15,9 or 20 mm. Other couplings on request
<b>Material:</b>	Steel, Aluminium
<b>Temperature range:</b>	0 ... +70°C Other temperature ranges on request
<b>Scope of supply:</b>	1 bending test fixture including inserts

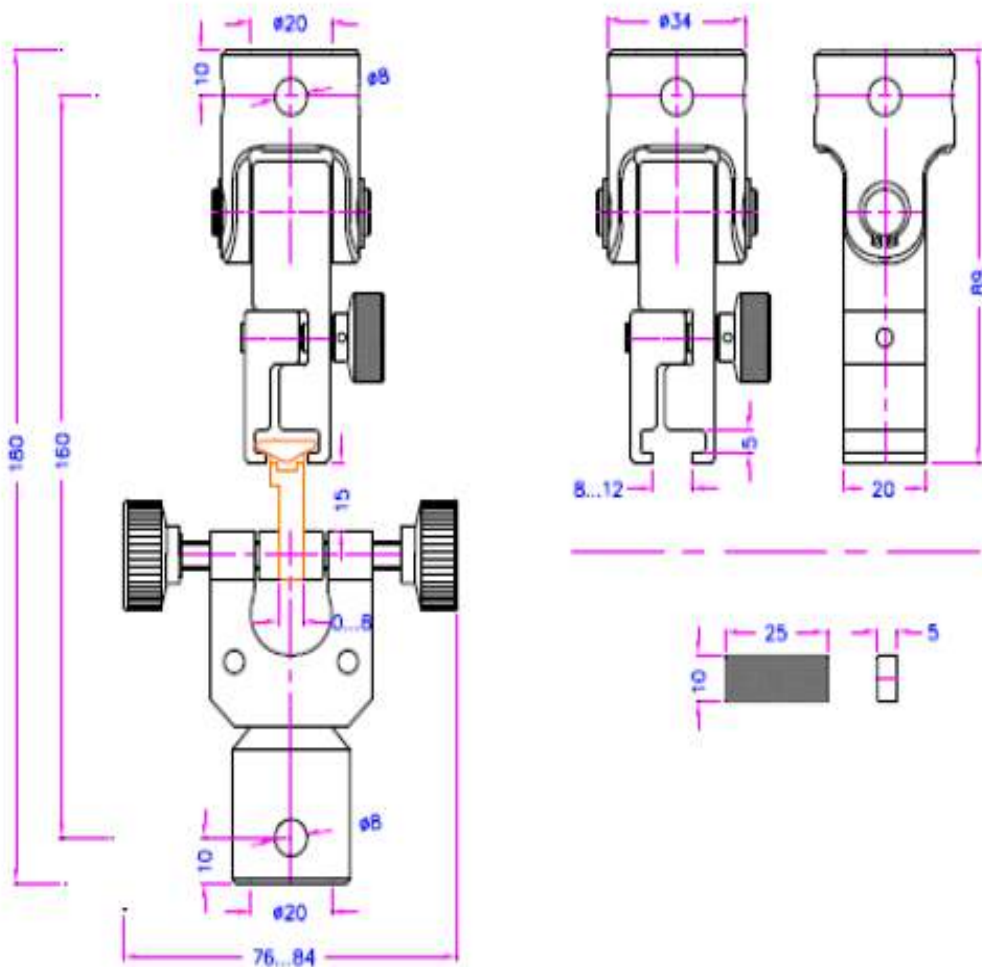


Test fixture with a tray for the collection of fluids from the blisters.

**FIXTURE FOR DENTAL TESTS**

**Tensile testing fixture for measuring the bond strength of dental restorations according to DIN EN ISO 22112 and DIN EN ISO 20795-1**

<b>Maximum load:</b>	3 kN
<b>Coupling:</b>	15,9 or 20 mm. Other couplings on request.
<b>Material:</b>	Steel, Aluminium, Plastic
<b>Temperature range:</b>	0 ... +70°C Other temperature ranges on request
<b>Scope of supply:</b>	1 testing fixture that is composed of upper and lower grips



### FIXTURE FOR DENTAL TESTS

Bonding test between polymer teeth and denture base materials according to DIN ISO/TS 19736

<b>Maximum load:</b>	2 kN
<b>Coupling:</b>	15,9 or 20 mm. Other couplings on request.
<b>Material:</b>	Steel, Aluminium
<b>Temperature range:</b>	0 ... +70°C Other temperature ranges on request
<b>Scope of supply:</b>	1 testing fixture that is composed of upper and lower grips

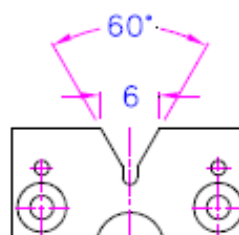
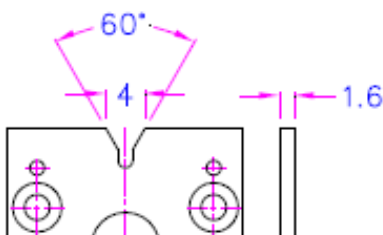
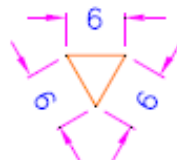
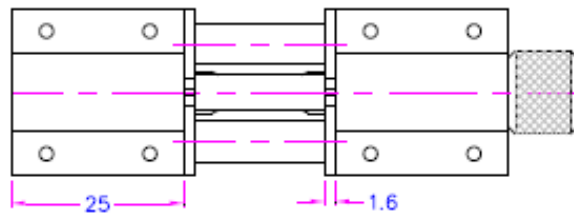
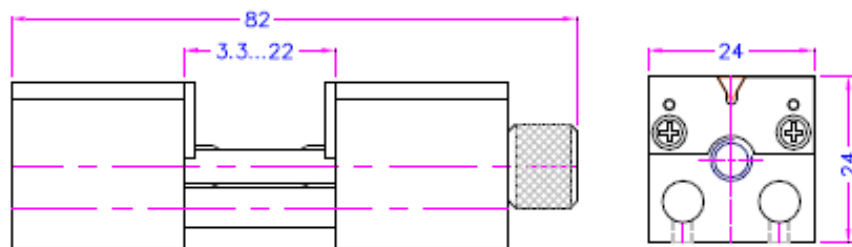


\* Holder for denture base diameter has 25 mm inner Ø



### FIXTURE TO CRUSH DENTAL IMPLANTS

<b>Maximum load:</b>	20 kN
<b>Opening:</b>	de 3,3 a 22 mm.
<b>Material:</b>	Flat steel bars, tungsten carbide
<b>Temperature range:</b>	0 ... +70°C Other temperature ranges on request
<b>Scope of supply:</b>	1 test fixture with inserts





**EXAMPLES OF OTHER TESTING FIXTURES:**



**Special accessory for pull-out tests to measure the strength of medical needle joints, stainless steel**

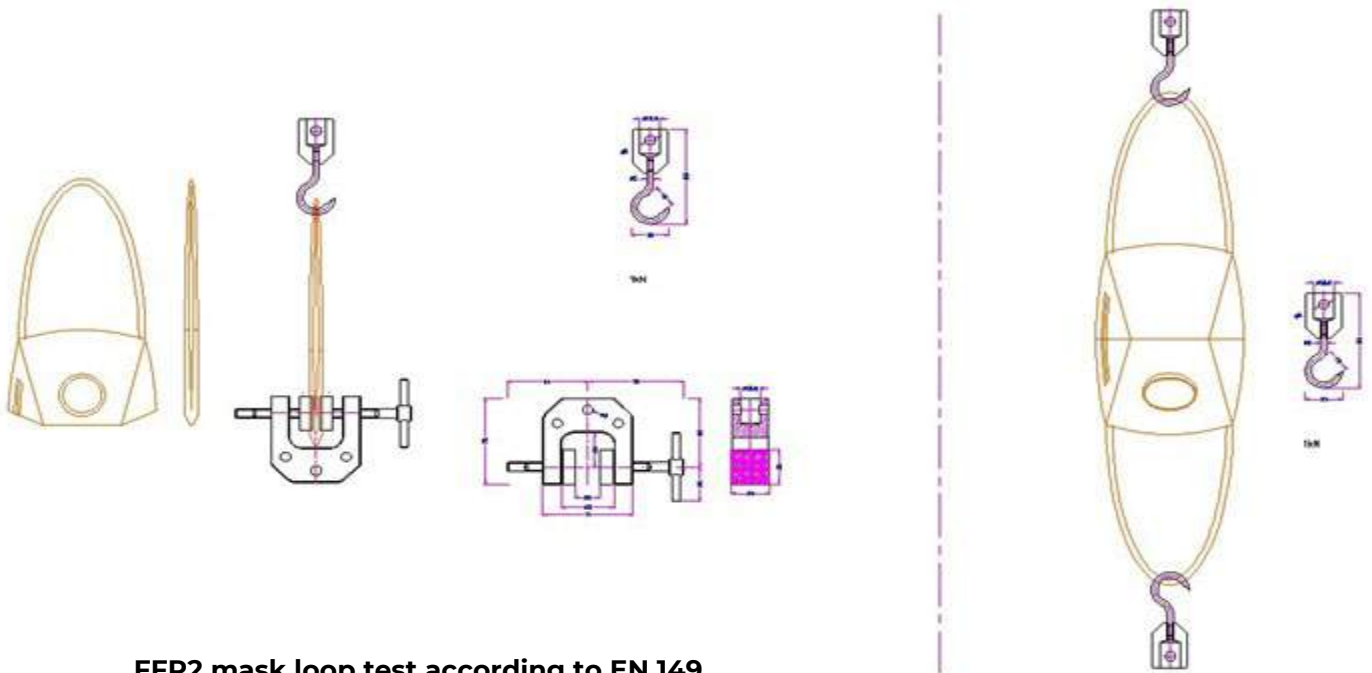


**(syringe holder) + (upper grip)**  
**Special accessory for measuring the withdrawal force of the needle cap tips**



**Special syringe holder for the 90° bend test**





**FFP2 mask loop test according to EN 149**

**Special accessory for testing needles syringe, stainless steel**

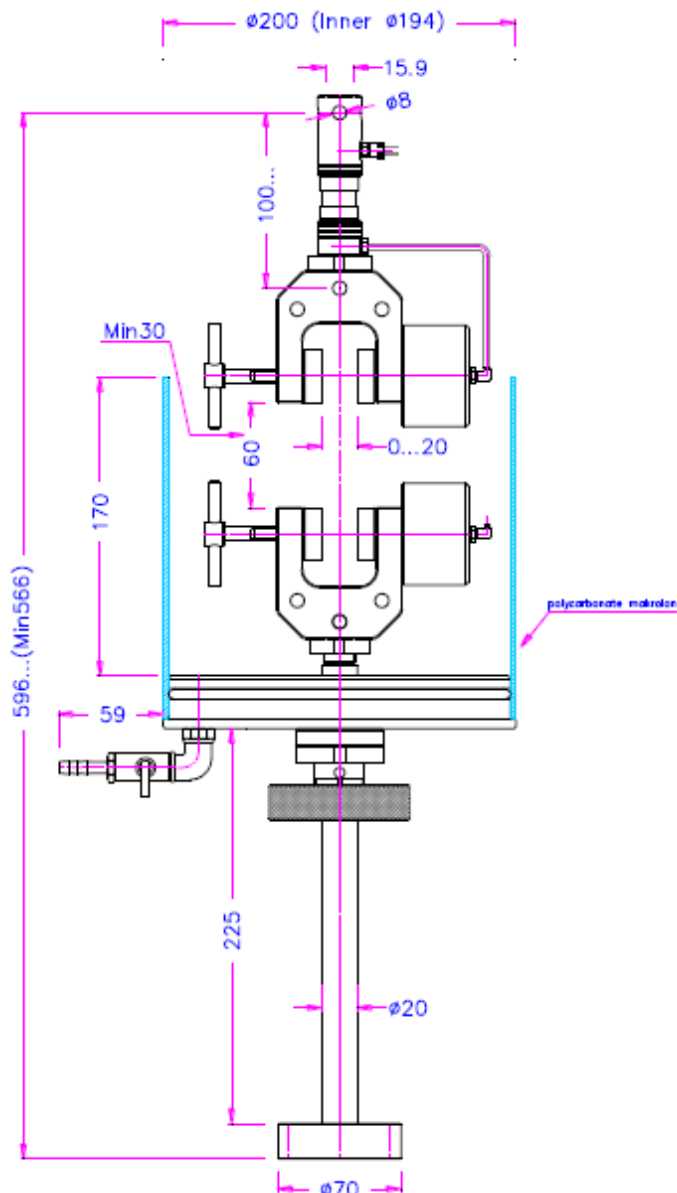


### FIXTURE FOR HUMAN TENDONS TESTS

Special Plexiglas container with tensile grips for cyclic and creep loading test on human flexor tendons

<b>Maximum load:</b>	10 kN
<b>Coupling:</b>	15,9 or 20 mm. Other couplings on request.
<b>Material:</b>	Makrolon, Steel, Aluminium
<b>Temperature range:</b>	0 ... +120°C Other temperature ranges on request
<b>Scope of supply:</b>	1 bath without grips and pull rod adapters. For grips we recommend Pneumatics MDN series

\* Water outlet through a hole in the base.





**Special accessories for testing hip prostheses according to ISO 7206-4**

To determine the strength properties and performance of stemmed femoral components of partial and total hip joint prostheses for surgical implants. Max. Load 30 kN.



**TECHLAB**SYSTEMS