

CHUCK AND BUTTON HEAD GRIPS – TENSILE TESTS



- [Tensile Grips MPC/20-250 series \(20-250 kN\)](#)
- [Tensile Grips MPC-A/200-300 series \(200-300 kN\)](#)
- [Crimp Terminal Extraction Grips MTC-20 series \(20kN\)](#)

Quick-fit grips to perform **tensile** strength/elongation tests on machined **round metal specimens with heads** and to perform extraction tests on crimped terminals on cables.

CONTENIDO

1.		<u>Tensile Grips MPC/20-250 series (20-250 KN)</u>	3
2.		<u>Tensile Grips MPC-A/200-300 (200-300 KN).....</u>	8
3.		<u>Crimp Terminal Extraction Grips MTC/20 (20 N).....</u>	11

Tensile Test Grips MPC/20-250 series (20-250 kN)

Quick-fit, solid-grip grips for **tensile** strength/elongation testing of **headed round metal machined specimens**

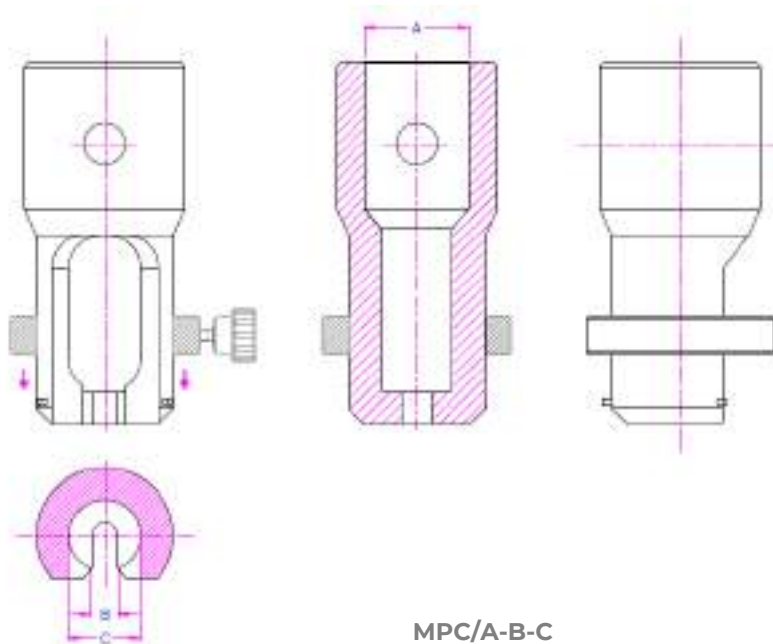


GENERAL INFORMATION

The quick-fit grips are suitable for tensile strength testing of a wide range of round metal material samples with heads that ensure breakage of the specimen in the central calibrated area.

Including ring to avoid any widening.

Scope of supply: 1 pair of grips



MPC/A-B-C

A: Adapter size

15.9, 20, 30, 31.8, 36, 38, 40, 50, 60 (Other sizes of adapters on request according to customer specifications).

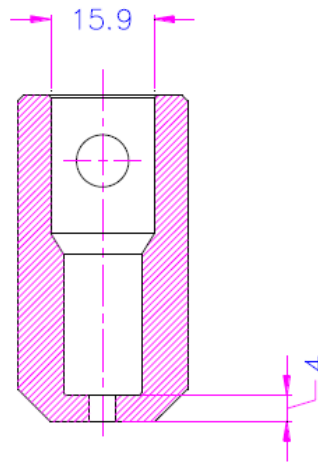
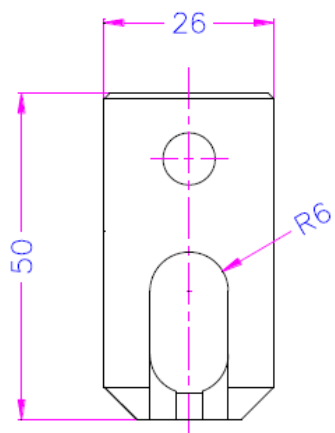
B: Slot size

C: max.

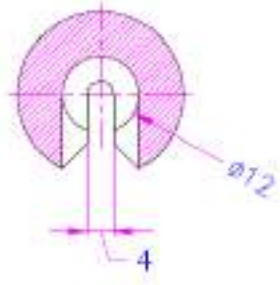
Model	Maximum load kN	A (mm)	B* (mm)	C** (mm)	Weight per grip
MPC-15,9	20	15,9	4 - 5 - 6	15,9	0,2 Kg
MPC-20	20	20	4 - 5 - 6 - 8	20	0,4 Kg
MPC-30	50	30	6 - 8 - 10 - 12	22	0,8 Kg
MPC-31,8	50	31,8	6 - 8 - 10 - 12	22	0,9 Kg
MPC-40	100	40	8 - 10 - 12 - 16	28	1,0 Kg
MPC-50	200	50	10 - 12 - 16 - 20	35	3,0 Kg
MPC-60	250	60	12 - 16 - 20 - 24	40	3,5 Kg

* Other slot sizes on request

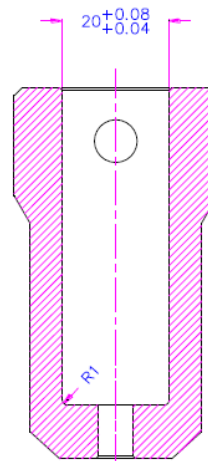
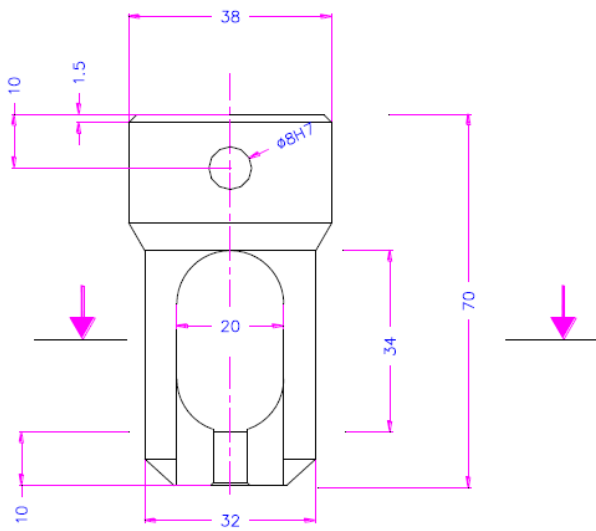
** Other sizes on request



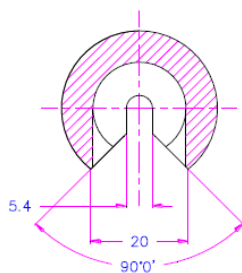
MPC-60-24

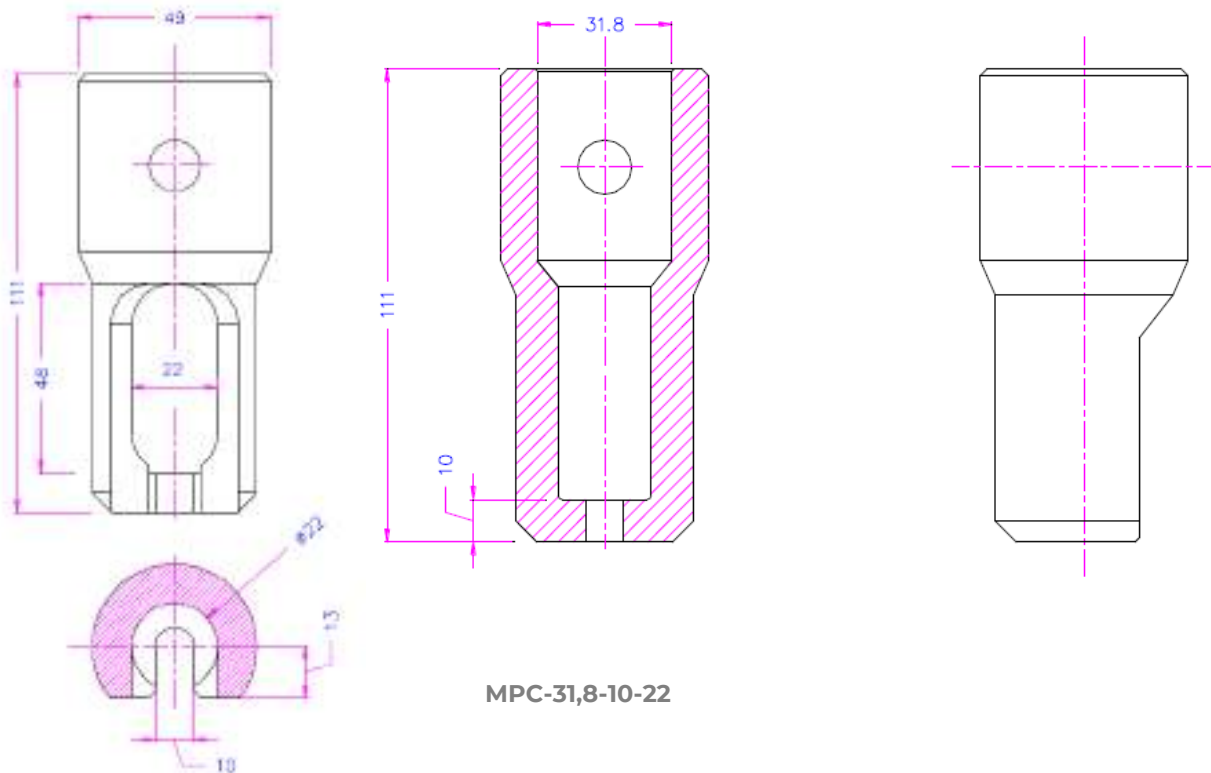
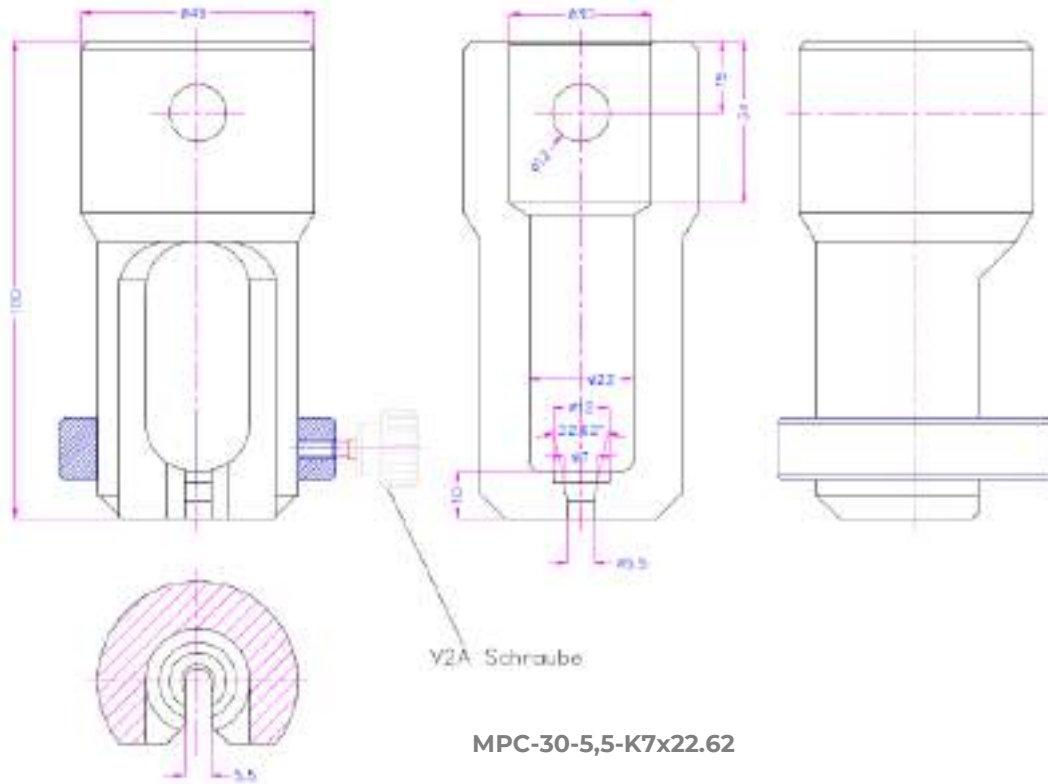


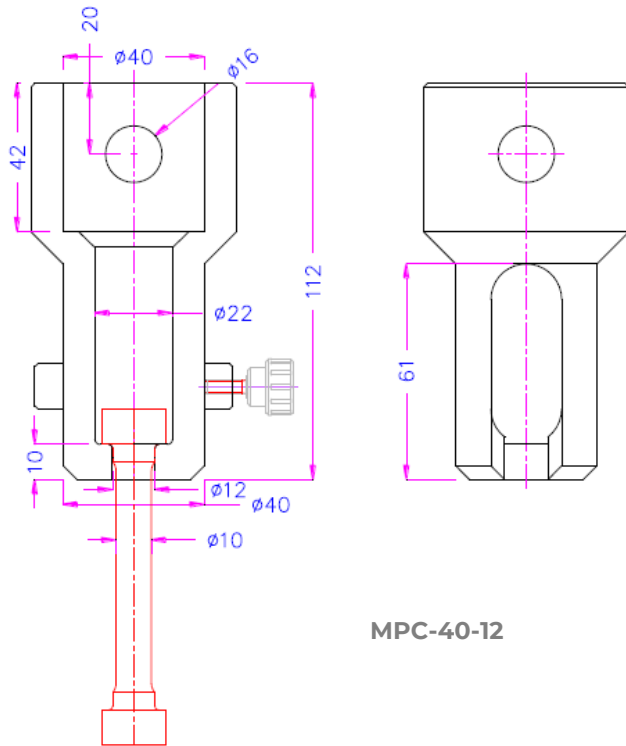
MPC-15,9-4



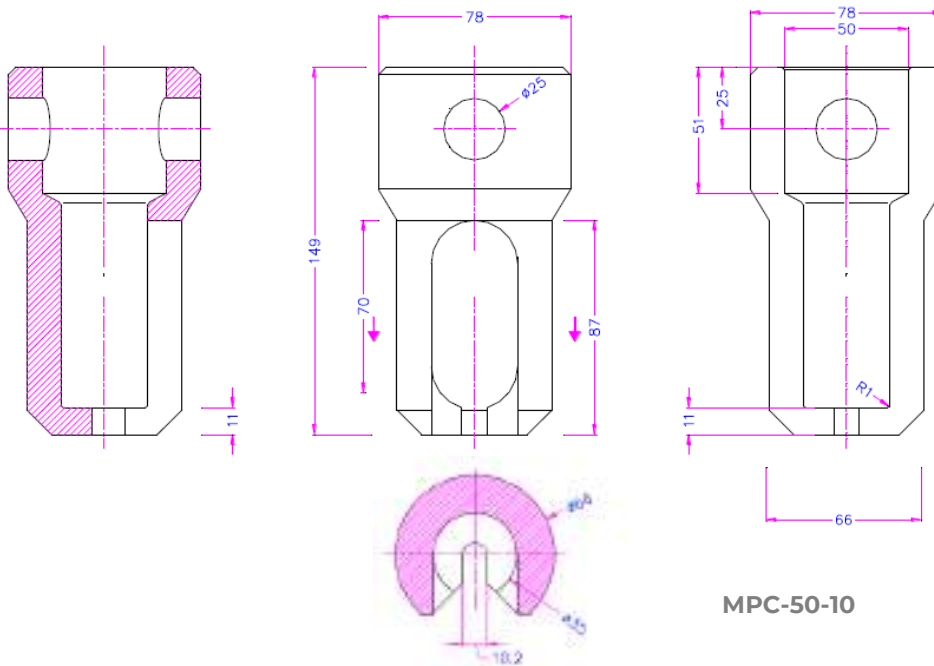
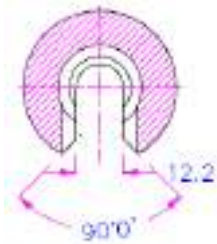
MPC-20-5



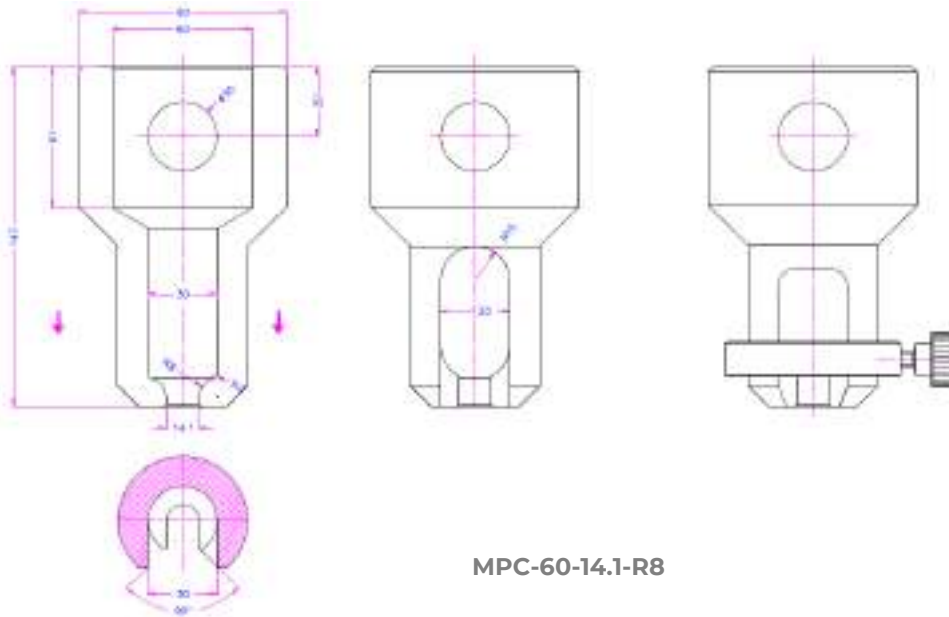




MPC-40-12



MPC-50-10



MPC-60-14.1-R8

250 kN

Custom versions:



Tensile Test Grips MPC-A/200-300 series (200-300 kN)

Quick-fit, solid-grip grips for **tensile** strength/elongation testing of **headed round metal machined specimens**

GENERAL INFORMATION

The quick-fit grips are suitable for tensile strength testing of a wide range of round metal material samples with heads that ensure breakage of the specimen in the central calibrated area.

Scope of supply: 1 pair of grips



MPC-A/70

Grips for round specimens with heads

MPC-A/Af70 Support closed version
300kN

45 HRC
Adapter 70/35
Diameter 98 mm 1
pair

Closed version



MPC-A/Af70-o

MPC-A/Af70-o Open version support for capacity **200kN**
45 HRC
Adapter 70/35 diameter 108 mm
1 pair

MPC-A/70-o-Af36

Open version support

With integrate load cell adapter 36



MPC-A/E10-R5

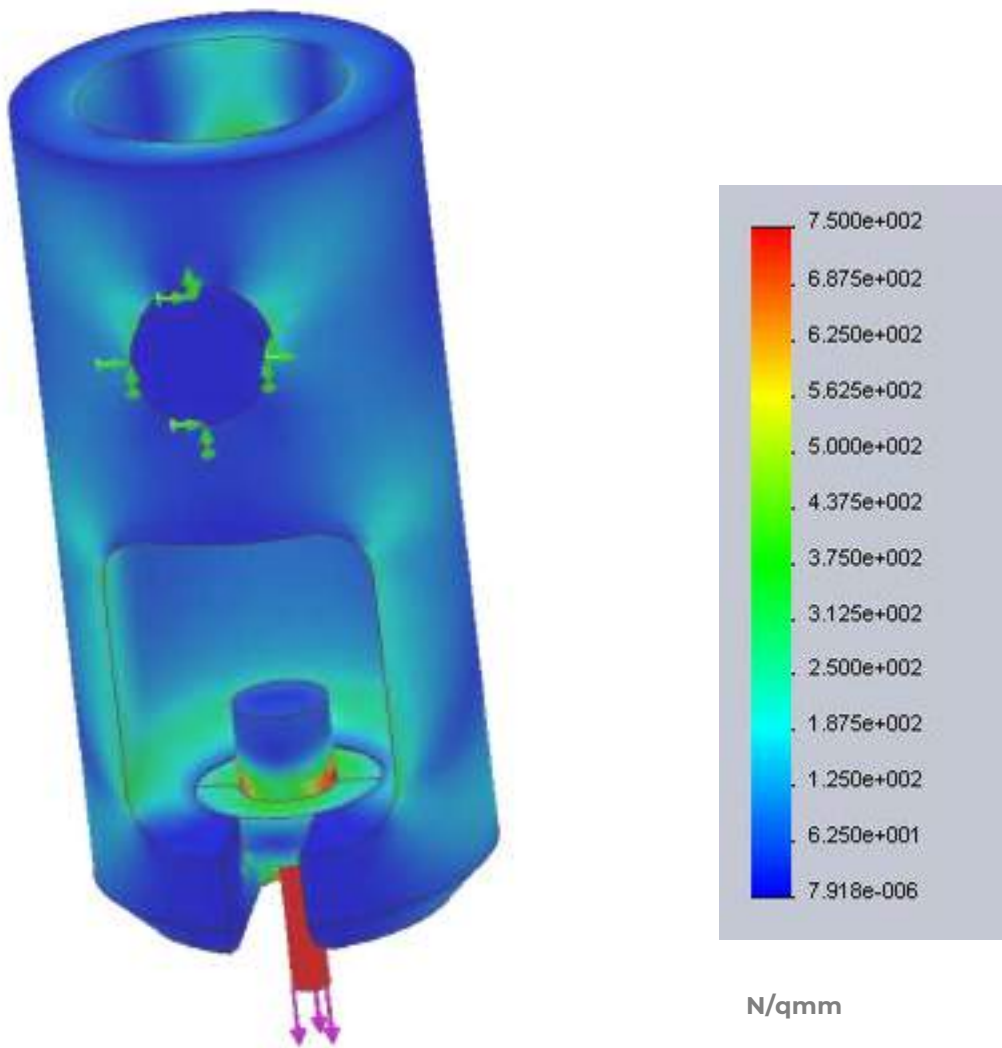
Inserts
MPC-A/EA-RB

4 part inserts (2 - split rings)

A = inside diameter 30mm max.
B= Radius max R15



STRESS CALCULATION (104 mm diameter - 250 kN)



See also:



Extraction Grips Crimp Terminals MTC-20 series **20kN capacity**

Quick-fit grip for perform tests on the extraction of crimped terminals on cables.

GENERAL INFORMATION

Clamping wheel for testing crimp connectors

- Crimp connection tests
- BNC / Cable connectors tests

- Crimp connector / cable separation force
- Crimp Quality Tests
- Cable terminal fixing tests
- Designed to test the strength of cable / terminal connections

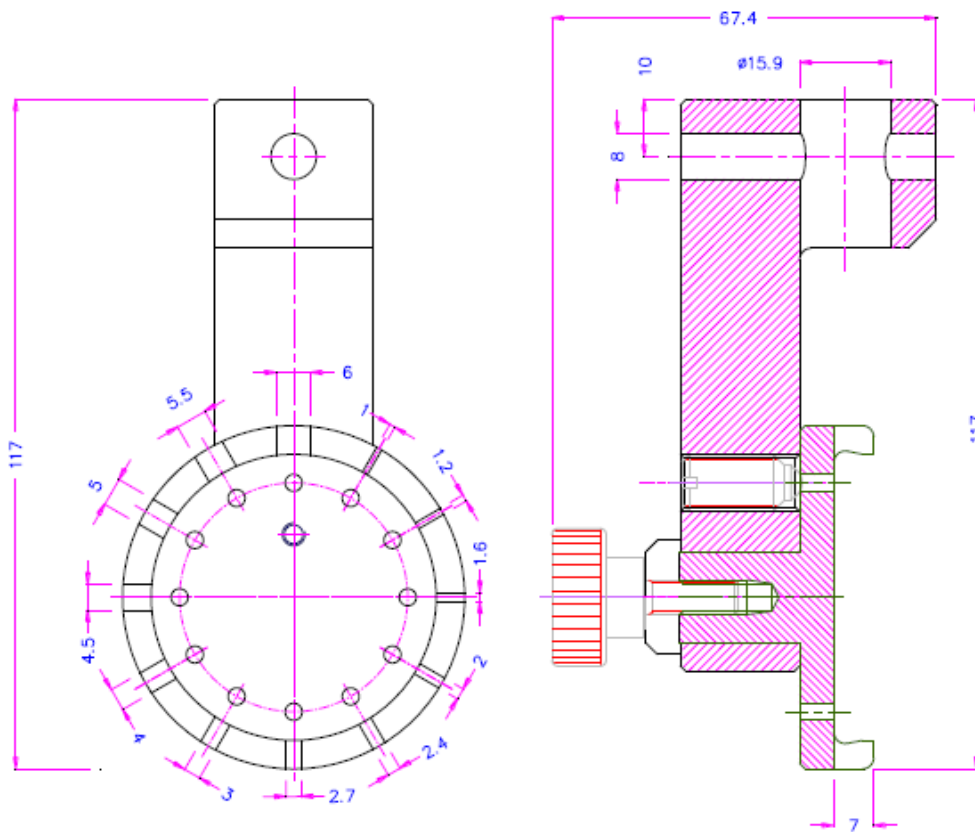
Upper grip: Self-aligning wheel with different size grooves

Lower grip can be: ERG - MDM - or stronger ...





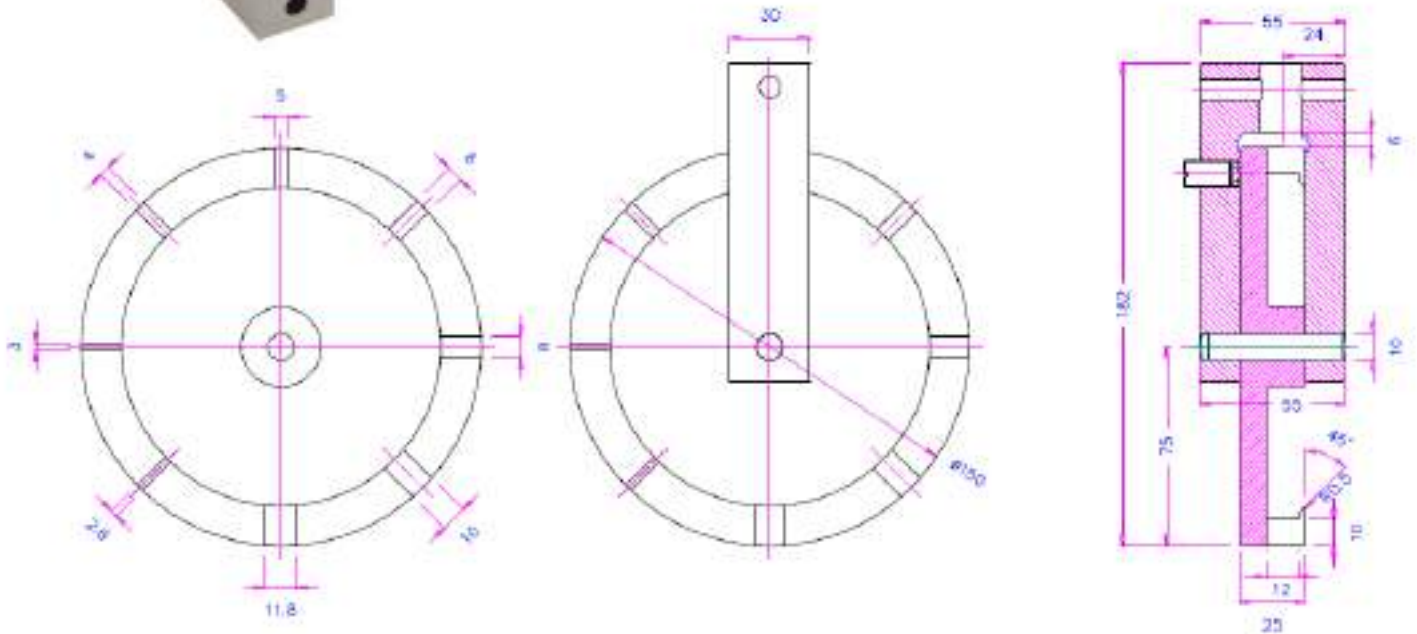
MODEL	MTC-20-12
Maximum load :	20 kN
12 Slots:	1.0 - 1.2 - 1.6 - 2.0 - 2.4 - 2,7 - 3.0 - 4.0 4,5 - 5 - 5.5 - 6 mm
Coupling:	15,9 mm Ø
Body:	Nickel plated steel
Drum Diameter :	60 mm Ø
Temperature range:	0... +70°C
Weight :	0,7 Kg
Scope of supply :	1 Grip including pin



MTC-20-12



MODELO	MTC-20-8
Maximum load :	20 kN
12 Slots:	2.6 – 3.0 – 4.0 - 5.0 - 6.0 – 8.0 10 – 11.8 mm
Coupling:	15,9 mm Ø
Body:	Nickel plated steel
Drum Diameter :	60 mm Ø
Temperature range:	0... +280°C
Weight :	2,9 Kg
Scope of supply :	1 Grip including pin



Custom made examples:



Swivel ring 240 mm Ø, 20 kN,
custom slot sizes

Recommended Testing Machines:



MTE-25 (to 25 kN)



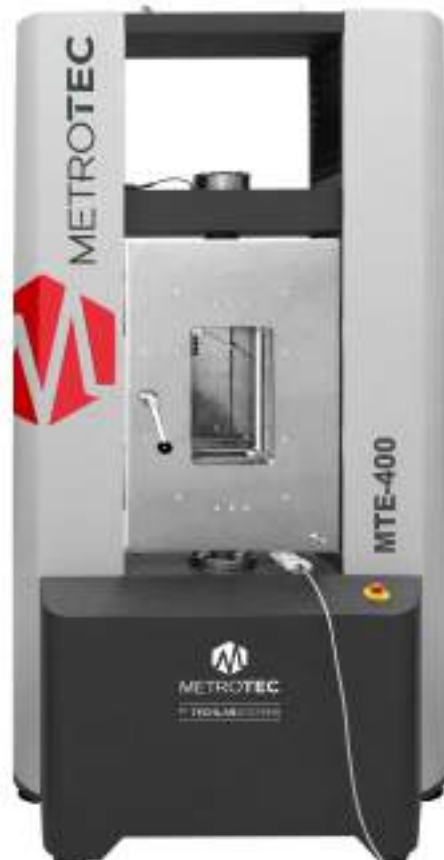
MTE-50 (to 50 kN)



MTE-100 (to 100 kN)



MTE-300 (to 300 kN)



MTE-400 (to 400 kN)